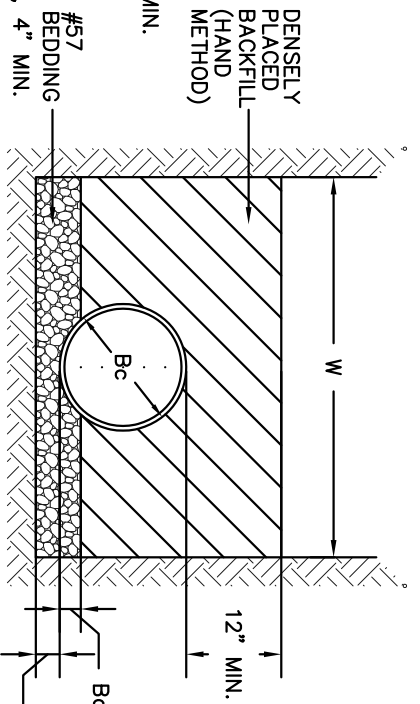
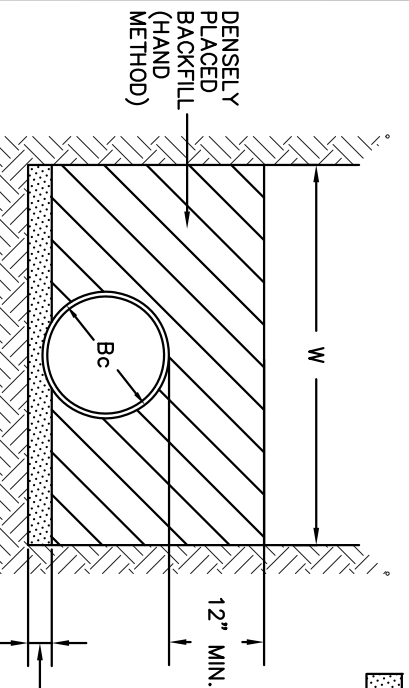


GRANULAR FOUNDATION
CLASS B



GRANULAR FOUNDATION
CLASS C



CONTINUOUS BEARING SUPPORT
MODIFIED CLASS D

= LOOSELY PLACED APPROVED SUITABLE LOCAL MATERIAL OR SELECT MATERIAL FOR FOUNDATION CONDITIONING AS DIRECTED BY THE ENGINEER. (STONE WILL NOT BE ALLOWED)

TRENCH WIDTH

MIN W = Bc + 16"
MAX W = Bc + 36"

IF CONTRACTOR CHOOSES TO EXCAVATE PAST THE MAX W, THE CONTRACTOR WILL BE RESPONSIBLE FOR ALL COSTS IN THE EXCAVATION BEYOND THE MAX W LIMITS.

BACKFILLING NOTES ACCORDING TO CURRENT EDITION OF NCDOT STANDARD SPECIFICATIONS FOR ROADS AND STRUCTURES.

- A. EXCAVATION, TRENCHING, AND BACKFILLING SHALL BE DONE ACCORDING TO SECTION 300 AND ACCORDING TO NCDOT STD. NO. 300.01, METHOD OF PIPE INSTALLATION, METHOD A.
 - B. BACKFILLING SHALL ALSO BE IN ACCORDANCE WITH ARTICLE 300-7 AND COMPACTED TO 95% OF THE AASHTO 199 NCDOT MODIFIED PROCTOR.
 - C. THE LAST 12" OF BACKFILL BELOW THE FINISHED SURFACE OF THE SUBGRADE SHALL BE COMPACTED TO 100% OF THE AASHTO 199 STANDARD PROCTOR, AS MODIFIED BY THE NCDOT.
- TYPICAL INSTALLATION
- A. UNLESS OTHERWISE SPECIFIED, A MODIFIED CLASS D FOUNDATION SHALL BE USED.
 - B. UNLESS OTHERWISE SPECIFIED, METHOD A SHALL BE USED.

CITY OF HIGH POINT
NORTH CAROLINA
ENGINEERING SERVICES DEPARTMENT
APPROVED: MARCH 1, 2007
BSP
DIRECTOR

ISSUED 03-01-07	REVISIONS
9-15-10	

STANDARD DRAWING FOR
STORM SEWER INSTALLATION

STORM_INST.DWG

409.00

SHEET 1 OF 1