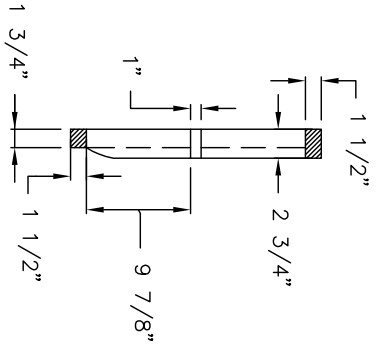


SECTION B-B

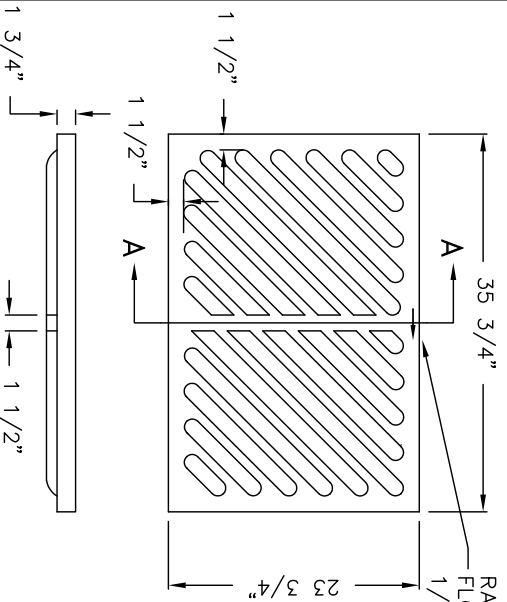
MIN. FLOW AREA = 430 SQIN.



SECTION A-A

TYPE "E" GRATE

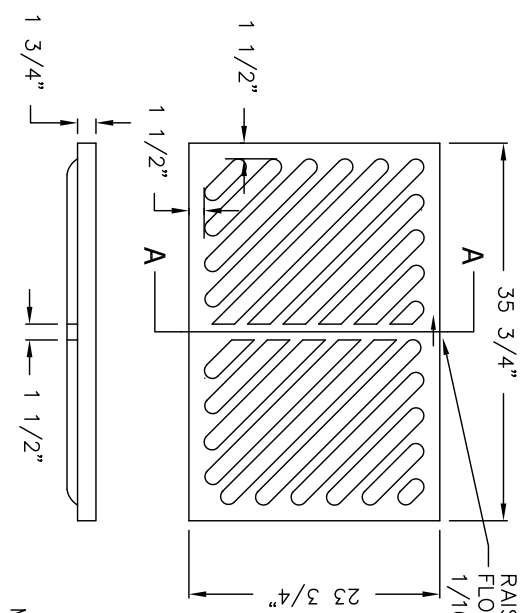
MIN. FLOW AREA = 370 SQIN.



SIDE VIEW

TYPE "G" GRATE

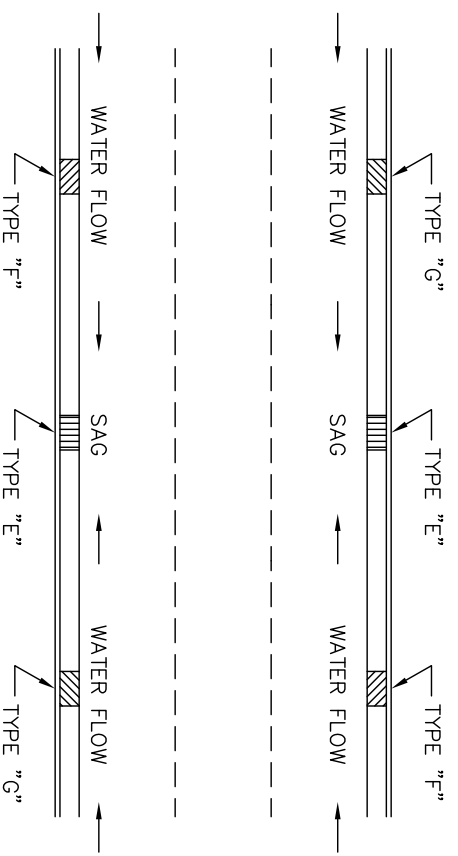
DETAIL SHOWING TYPES OF GRATES
USE ACCORDING TO WATER FLOW.



SECTION A-A

TYPE "F" GRATE

MIN. FLOW AREA = 370 SQIN.



SIDE VIEW

TYPE "F" GRATE

MIN. FLOW AREA = 370 SQIN.

CITY OF HIGH POINT
NORTH CAROLINA
ENGINEERING SERVICES DEPARTMENT

APPROVED: MARCH 1, 2007
BKR
DIRECTOR

ISSUED 03-01-07
REVISIONS

STANDARD DRAWING FOR

FRAME, GRATES, AND HOOD

FOR USE ON STANDARD TYPE "B" CATCH BASIN

FRGRHOOD2.DWG

406.00

SHEET 2 OF 2