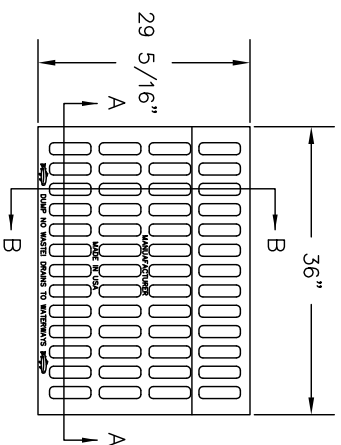
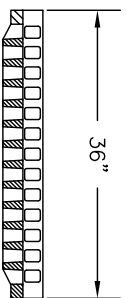


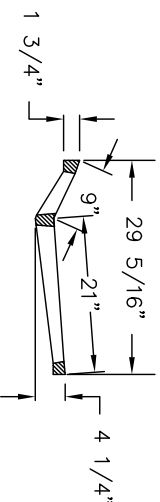
FRAME TOP VIEW



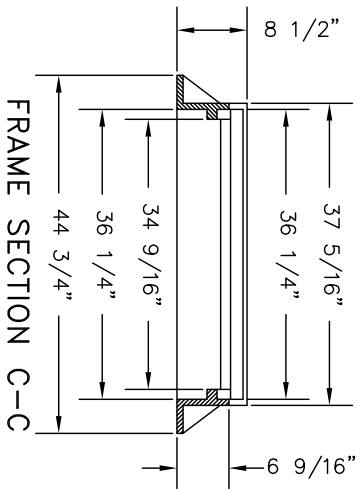
GRATE TOP VIEW



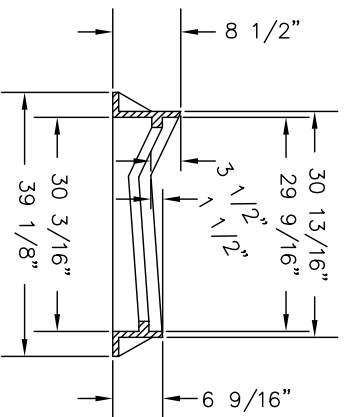
GRATE SECTION A-A



GRATE SECTION B-B



FRAME SECTION C-C



FRAME SECTION D-D

- NOTES:**
- A. FRAME AND GRATE SHALL BE GRAY CAST IRON MEETING ASTM A48, CLASS 35B SPECIFICATIONS.
  - B. GRATE SHALL BE SUITABLE FOR BICYCLE TRAFFIC.
  - C. FRAME AND GRATE SHALL CONTAIN THE FOLLOWING INFORMATION:
    1. MANUFACTURER'S MARK
    2. LOCATION OF FOUNDRY (COUNTRY)
    3. MANUFACTURER'S CATALOG NO.
    4. GRATE: "DUMP NO WASTE / DRAINS TO WATERWAYS".
  - D. ESTIMATED TOTAL WEIGHT= 529 LBS.
  - E. APPROVED MANUFACTURERS:
    1. U.S. FOUNDRY & MFG. CORP. ITEM NO. 8040223
    2. EAST JORDAN IRON WORKS, INC. V-4510 (DIFFERENT DIMENSIONS)
  - F. OPEN AREA IS APPROXIMATELY 310 SQ.IN.

CITY OF HIGH POINT  
 NORTH CAROLINA  
 ENGINEERING SERVICES DEPARTMENT

ISSUED 03-20-07  
 REVISIONS

APPROVED: MARCH 20, 2007  
 BJK  
 DIRECTOR

STANDARD DRAWING FOR  
 FRAME AND GRATE FOR GUTTER INLET  
 FOR DROPPED CURBING