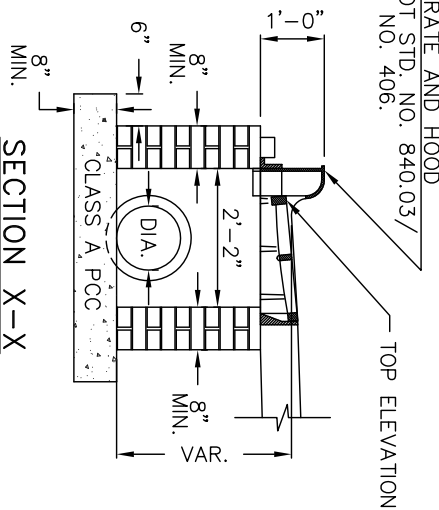
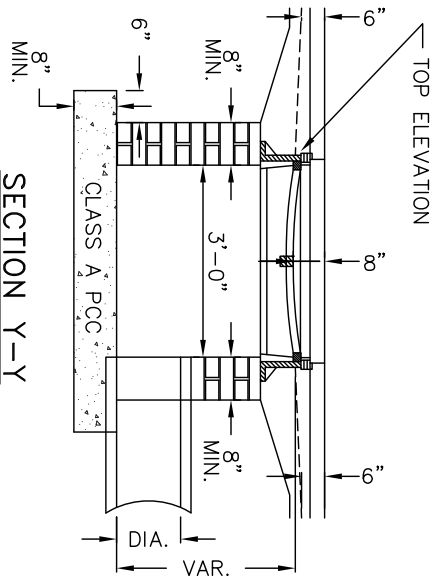


APPROVED HOOD DESIGNS



FRAME, GRATE AND HOOD
SEE NCDOT STD. NO. 840.03/
CITY STD. NO. 406.

- NOTES:
1. BRICK MASONRY SHALL BE JUMBO BRICK, CONCRETE BRICK, OR SOLID CONCRETE BLOCKS WHICH MEETS THE SPECIFICATIONS OF SECTION 1040 OF THE LATEST EDITION OF THE NCDOT STANDARD SPECIFICATIONS FOR ROADS AND STRUCTURES.
 2. FOR STRUCTURE HEIGHTS OVER 3'-6", INSTALL STEPS ON 12" CENTERS. ALL STEPS SHALL CONFORM TO CITY STD. NO. 303, OR AN APPROVED EQUAL.
 3. CLASS A, 3000 PSI, CONCRETE SHALL BE USED THROUGHOUT.
 4. CATCH BASIN BRICK MINIMUM WALL THICKNESS:

- | | |
|---------------------|----------------|
| HEIGHT OF STRUCTURE | WALL THICKNESS |
| 0'-8" | 8" |
| OVER 8' TO 16' | * |
| OVER 16' | SPECIAL DESIGN |
- * OVER 8'-0" IN HEIGHT, USE 12" WALL FROM THE BOTTOM OF THE WALL TO 6'-0" FROM THE TOP OF THE WALL. USE 8" WALL FOR THE REMAINING 6'-0".
5. USE FORMS FOR CONSTRUCTION OF THE BOTTOM SLAB OR USE A PRECAST SLAB.
 6. USE NCDOT STD. NO. 840.03/CITY STD. NO. 406. FRAME, GRATE, AND HOOD UNLESS OTHERWISE INDICATED.
 - USE TYPE "E", "F", OR "G" GRATES UNLESS OTHERWISE INDICATED.

CITY OF HIGH POINT
NORTH CAROLINA
ENGINEERING SERVICES DEPARTMENT
APPROVED: MARCH 1, 2007
BY: [Signature]
DIRECTOR

ISSUED 03-01-07
REVISIONS

STANDARD DRAWING FOR
BRICK CATCH BASIN, TYPE B
FOR 12" THRU 54" PIPE

CB_B_BR_1.DWG
404.00
SHEET 1 OF 2