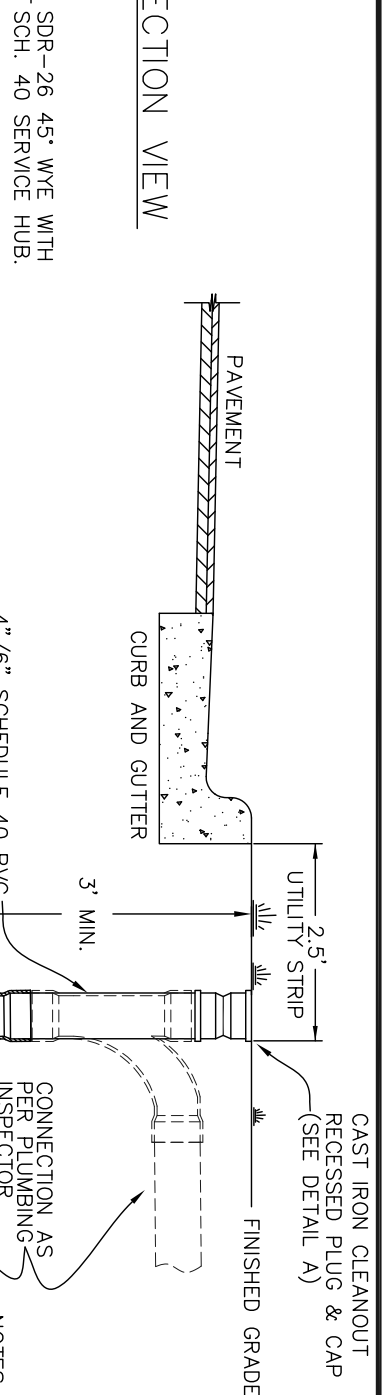
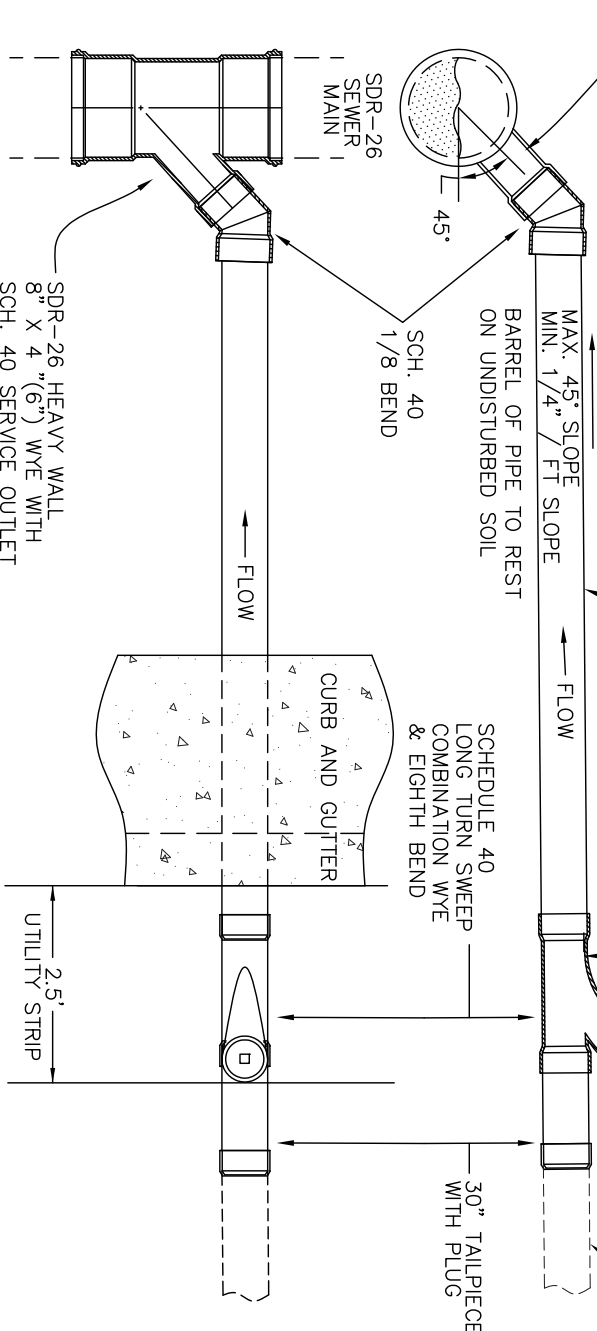
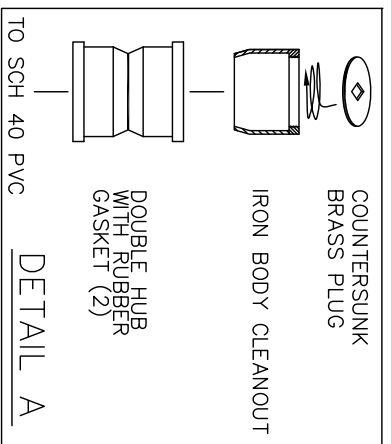


SECTION VIEW



NOTES:

1. FOR ALL PVC SDR-26 SANITARY SEWER MAINS, ALL SERVICE LATERALS AND FITTINGS SHALL BE SCHEDULE 40 PVC.
2. CLEAN OUTS ARE TO BE SET IN THE 30" (2.5') UTILITY STRIP, AS MEASURED FROM THE BACK OF CURB, OR ONE FOOT (1') INSIDE THE RIGHT-OF-WAY LINE FOR RIBBON PAVEMENT ROADS. ANY VARIANCE MUST BE APPROVED BY THE ENGINEERING SERVICES DEPT. OR STATED IN THE CONTRACT DOCUMENTS.
3. IN LIEU OF A WYE, THE SERVICE MAY BE CONNECTED TO THE MAIN BY USING A TAPPING MACHINE AND SADDLE APPROVED BY THE ENGINEERING SERVICES DEPARTMENT.
4. UNDER NO CIRCUMSTANCES SHALL A BEND BE PLACED IN ANY SECTION OF A SEWER SERVICE LATERAL WITHOUT PERMISSION OF THE ENGINEERING SERVICES DEPARTMENT.
5. THE DITCH SHALL BE COMPACTED IN SIX INCH (6") LAYERS WITH A MECHANICAL TAMP.
6. SCHEDULE 40 PVC PIPE AND FITTINGS SHALL MEET THE REQUIREMENTS OF ASTM'S D 1784, D 2665, AND D 1785.
7. SOLVENT CEMENT JOINTS SHALL BE MADE IN A TWO STEP PROCESS WITH PRIMER MANUFACTURED FOR THERMOPLASTIC PIPING SYSTEMS (PURPLE) AND SOLVENT CEMENT CONFORMING TO ASTM'S D 2564 AND F 656.
8. COMBINATION WYE AND EIGHTH BENDS SHALL BE MANUFACTURED BY:
 - GENOVA 72540 (4" - ONE PIECE)
 - CHARLOTTE 501 (4" - ONE PIECE)
 - CHARLOTTE 503 (6" - TWO PIECE)
 - OR APPROVED EQUAL



PLAN VIEW

SDR-26 HEAVY WALL
8" X 4" (6") WYE WITH
SCH. 40 SERVICE OUTLET
(NO ADAPTER SPIGOT NEEDED)
AS MANUFACTURED BY:
- HARCO 501-0804-DWV (8" X 4")
- GPK PRODUCTS 977-0084 (8" X 4")
- AND 977-0086 (8" X 6")
- OR APPROVED EQUAL

CITY OF HIGH POINT
NORTH CAROLINA
ENGINEERING SERVICES DEPARTMENT

ISSUED 5-3-07
REVISIONS
APPROVED: MAX 3
DIRECTOR

STANDARD DRAWING FOR

**SANITARY SEWER SERVICE (REHAB)
FOR PVC SCH. 40 SEWER LATERALS**

SER_PVC_RHB.DWG

321.00

SHEET 1 OF 1