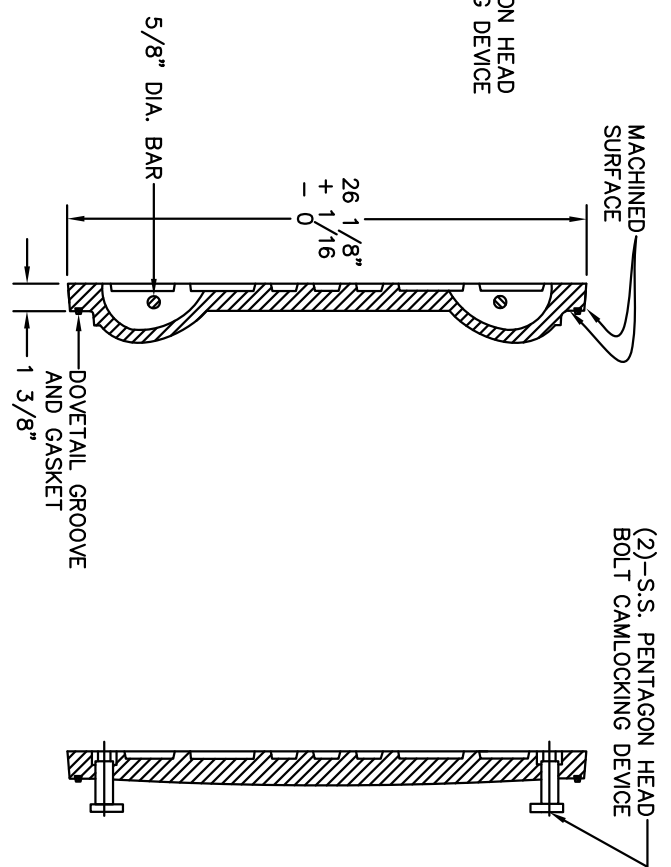
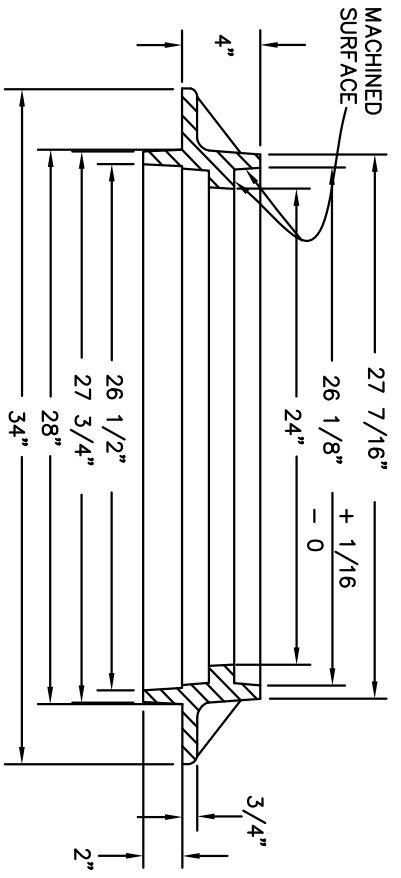


PLAN VIEW

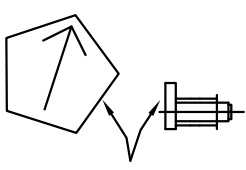


COVER SECTION

COVER SECTION B-B



FRAME SECTION



CAM-LOCK DETAIL

LOCKING DEVICE-
STAINLESS STEEL
PENTAGON HEAD
BOLTS. TWO (2)
3/4" x 1 3/4"
LONG BOLTS SHALL
BE PROVIDED IN
THE COVER AS
SHOWN.

- NOTES:
- A. TO BE USED IN THE 100 YEAR FLOOD AREA AS DETERMINED BY F.E.M.A.
 - B. MANHOLE RINGS AND COVERS SHALL BE MADE OF GRAY CAST IRON AND SHALL CONFORM TO ASTM A48, CLASS 35B.
 - C. FOR OUTFALL USE ONLY- NOT FOR USE ON MANHOLES LOCATED IN ROADWAYS.
 - D. APPROVED MANUFACTURERS:
-U.S. FOUNDRY, MODEL 8015011
-EAST JORDAN IRON WORKS, PRODUCT NUMBER NCR08-2313A
-OR APPROVED EQUAL.
 - E. OUTFALL MANHOLE LOCKABLE RING & COVER, TYPE FT SHALL BE CAST INTO THE OUTFALL MANHOLE FLAT TOP.
 - F. ESTIMATED WEIGHTS ARE: COVER 132 LBS
FRAME 195 LBS
UNIT 327 LBS

CITY OF HIGH POINT
NORTH CAROLINA
ENGINEERING SERVICES DEPARTMENT
APPROVED: JULY 3, 2007
DIRECTOR

ISSUED 7-3-07	REVISIONS
9-15-10	

STANDARD DRAWING FOR
OUTFALL MANHOLE LOCKABLE RING AND COVER, TYPE FT
FOR USE IN WATERTIGHT OUTFALL MANHOLES

RC_OF_FT.DWG
308.00
SHEET 1 OF 1