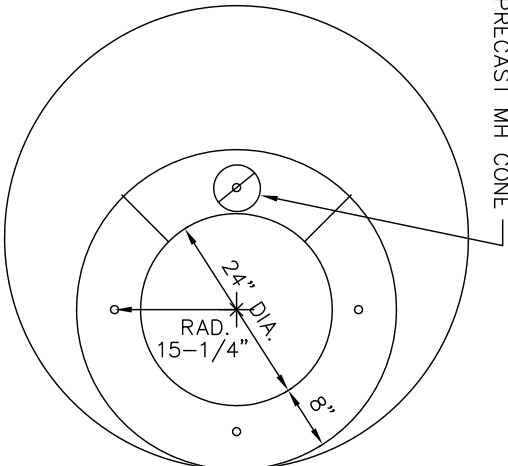


NO BOLTS IN TAPER  
OF PRECAST MH CONE



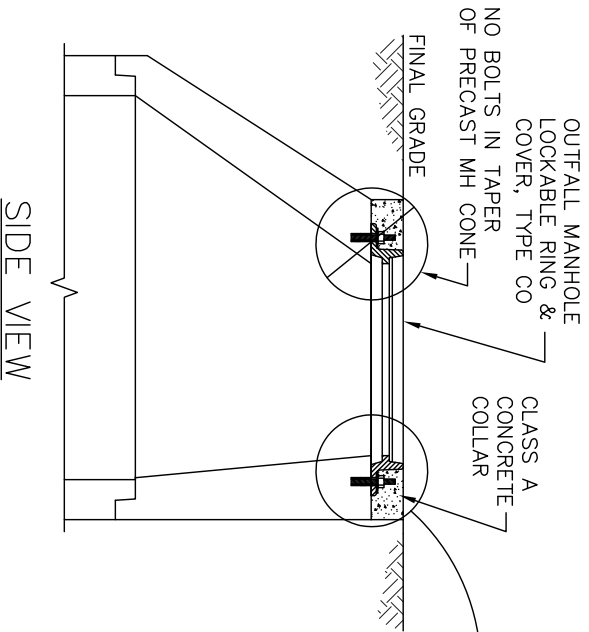
TOP VIEW CONE

ALTERNATE CONE SECTION  
SPECIAL APPROVAL REQUIRED FROM ENGINEERING  
SERVICES DEPT. AND/OR PUBLIC SERVICES DEPT.

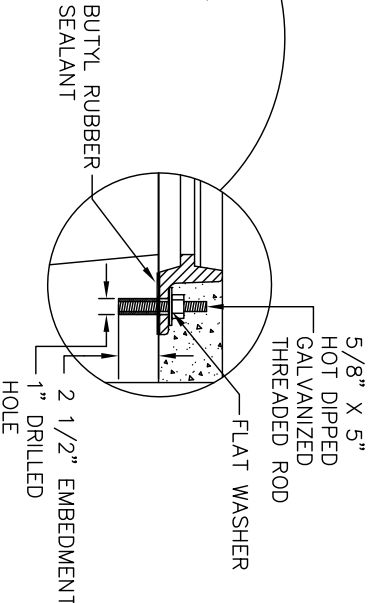
- INSTALLATION OF FRAME & COVER**
1. THREE (MINIMUM-OUT OF 4 AVAILABLE FRAME HOLES) 1" DIA. ANCHOR HOLES DRILLED IN TOP OF CONE AS SHOWN IN THE DETAIL DRAWING.
  2. 5/8" X 5" GALVANIZED THREADED ROD EPOXIED INTO TOP OF CONE.
  3. COAT (FULL WIDTH AND FULL LENGTH) THE UNDERSIDE OF THE MANHOLE FRAME WITH BUTYL RUBBER SEALANT. PLACE THE FRAME OVER THE THREADED RODS AND BOLT DOWN FRAME TO COVER.
  4. CLASS A CONCRETE FORMED AND POURED AROUND THE DIAMETER OF THE RING AND POURED FLUSH WITH THE OUTSIDE WALLS OF THE CONE.



TOP VIEW - CONE WITH F & C



SIDE VIEW



- NOTES:**
- A. ALL STANDARD SEWER MANHOLE SECTIONS SHALL MEET THE REQUIREMENTS OF CITY STD. NO. 300. (4' DIA) OR 301. (5' DIA).
  - B. THE LOCKABLE RING & COVER SHALL MEET THE REQUIREMENTS OF CITY STD. NO 309.
  - C. **INSTALLATION OF THE FRAME & COVER AND THE CONCRETE COLLAR ONTO THE CONE SECTION SHALL BE DONE AT THE PRECAST CONCRETE PLANT. NO FIELD INSTALLATION WILL BE ALLOWED.**
  - D. GRADE ADJUSTMENT SHALL BE DONE WITH MANHOLE RISER SECTIONS. THE TOP OF THE MANHOLE SHALL BE AT THE DIRT FINAL GRADE OR WITHIN 9" ABOVE THE DIRT FINAL GRADE.

CITY OF HIGH POINT  
NORTH CAROLINA  
ENGINEERING SERVICES DEPARTMENT  
APPROVED JULY 3, 2007  
DIRECTOR

ISSUED 7-3-07
REVISIONS

STANDARD DRAWING FOR  
**NON-VENTED OUTFALL MANHOLE**  
FOR 4' OR 5' SANITARY SEWER MANHOLES

MH\_OF\_2.DWG  
**311.00**  
SHEET 2 OF 2