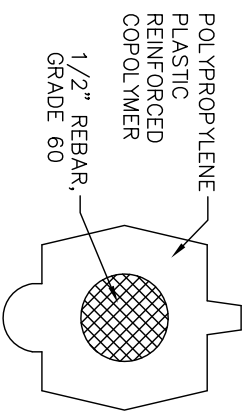


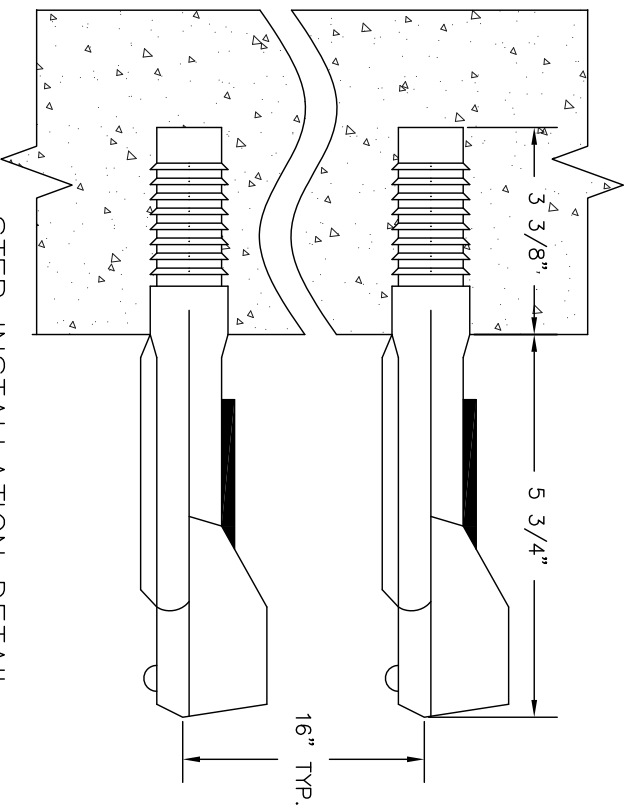
STEP SIDE VIEW DETAIL

STEP TOP VIEW DETAIL

STEP END VIEW DETAIL



SECTION A-A



STEP INSTALLATION DETAIL

- NOTES:**
1. STEP DESIGN, INSTALLATION, AND MATERIAL SHALL MEET THE REQUIREMENTS OF ASTM C478 AND NCDOT SECTION 1074-8.
 2. PLASTIC MATERIAL CONSISTS OF SUPER HIGH IMPACT RESISTANT COPOLYMER POLYPROPYLENE AND SHALL CONFORM TO SPECIFIC REQUIREMENTS DETAILED IN ASTM D4101.
 3. REINFORCING STEEL SHALL BE 1/2" REBAR, GRADE 60 AND MEET THE REQUIREMENTS OF ASTM A615.
 4. STEP WIDTH AND SPACING SHALL BE CONSISTENT WITH THE LATEST REQUIREMENTS OF OSHA.
 5. THE UPPER SURFACE OF EACH STEP SHALL HAVE A TRACTION TREAD AND GUIDE LUGS ON EACH EDGE TO PREVENT THE FOOT FROM SLIPPING OFF.
 6. STEPS SHALL BE MANUFACTURED BY M.A. INDUSTRIES, INC OR APPROVED EQUAL.

CITY OF HIGH POINT
NORTH CAROLINA
ENGINEERING SERVICES DEPARTMENT

APPROVED: MAY 3, 2007
BKD
DIRECTOR

ISSUED 5-3-07
REVISIONS

STANDARD DRAWING FOR

MANHOLE STEPS

FOR UTILITY AND STORM SEWER STRUCTURES

MH_STEP.DWG

303.00

SHEET 1 OF 1