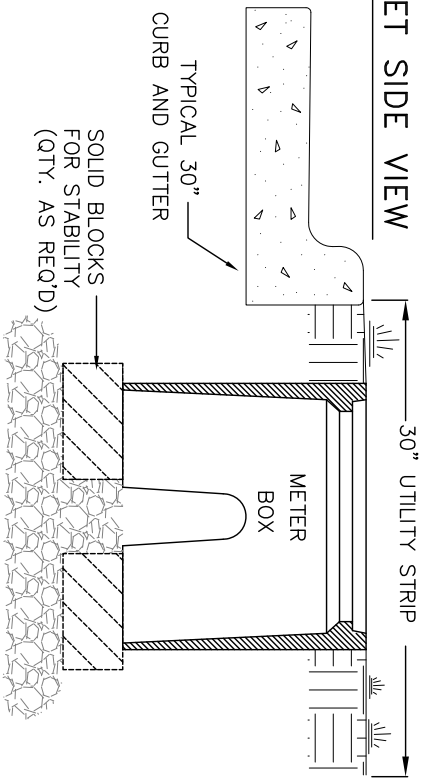
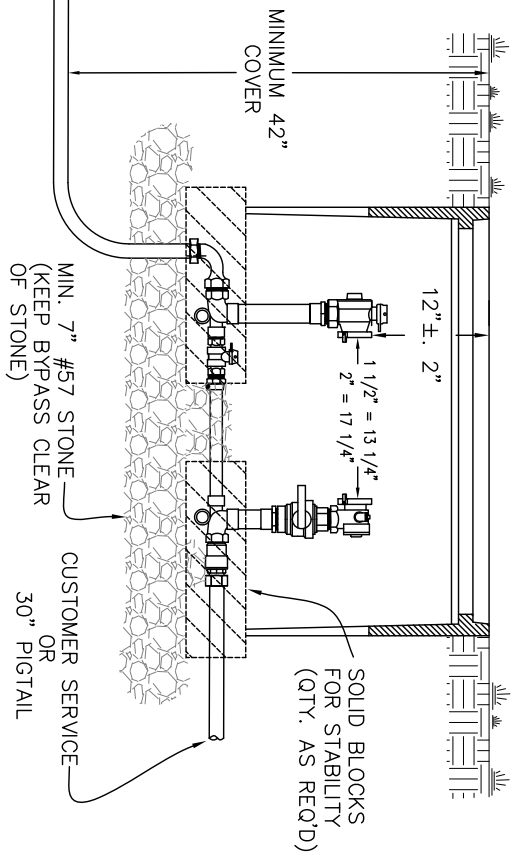
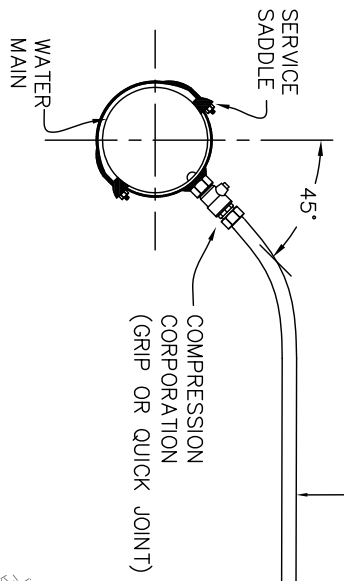


STREET SIDE VIEW

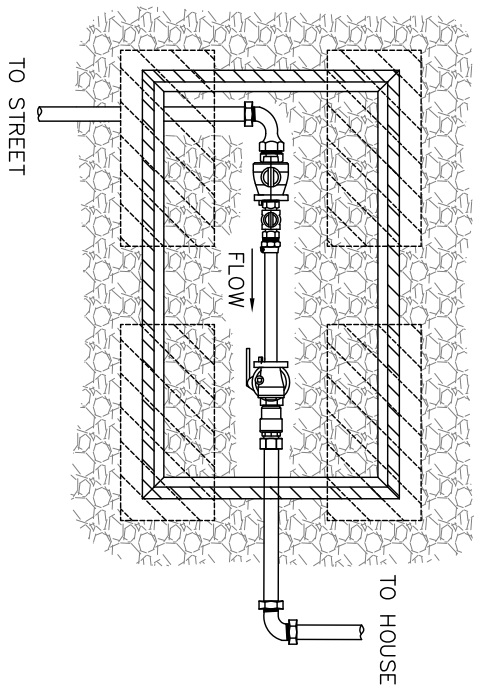


NOTES:

- A. THE CITY SERVICE LATERAL SHALL EXTEND PERPENDICULAR FROM THE WATER MAIN TO THE METER SETTER AND MAINTAIN THE SAME COVER AS REQUIRED FOR THE WATER MAIN. THE ONLY EXCEPTION IS IN A CUL-DE-SAC. IN THIS CASE, ONE HORIZONTAL BEND WILL BE ALLOWED. HOWEVER, THE BEND MUST BE FIELD LOCATED AND SHOWN ON THE AS-BUILTS.
- B. ALL WATER TAPS SHALL BE WET TAPS.
- C. ALL 1 1/2" AND 2" WATER TAPS REQUIRE DUCTILE IRON, DOUBLE STRAP, SERVICE SADDLES.
- D. APPROVED PARTS:
 1 1/2" & 2" SERVICE SADDLE:
 -SMITH BLAIR MODEL 313
 -MUELLER DR2A SERIES
 -FORD F202 SERIES
 -ROMAC STYLE #202
 CORPORATIONS:
 COMPRESSION
 1 1/2": -MUELLER 300 BALL CORP. VALVE B-25008N SERIES
 -A. Y. McDONALD BRASS 74701BT-1 1/2"
 -FORD FB1000-6GNI
 -MUELLER 300 BALL CORP. VALVE B-25008N SERIES
 2":
 -A. Y. McDONALD BRASS 74701BT-2"
 -FORD FB1000-7GNI
- E. NO KINKS ALLOWED IN THE SERVICE. ANY KINKED OR DAMAGED TUBING SHALL BE REMOVED AND REPLACED.



TOP VIEW



CITY OF HIGH POINT
 NORTH CAROLINA
 ENGINEERING SERVICES DEPARTMENT

ISSUED 02-01-07
REVISIONS
9-15-10
2-6-14

APPROVED: FEBRUARY 1, 2007
 BSK
 DIRECTOR

STANDARD DRAWING FOR

1 1/2" AND 2" SERVICE LINE INSTALLATION (REHAB.)
 FOR REHABILITATION OF 1 1/2" AND 2" WATER SERVICES

1.5_2INST.DWG

211.00

SHEET 1 OF 1